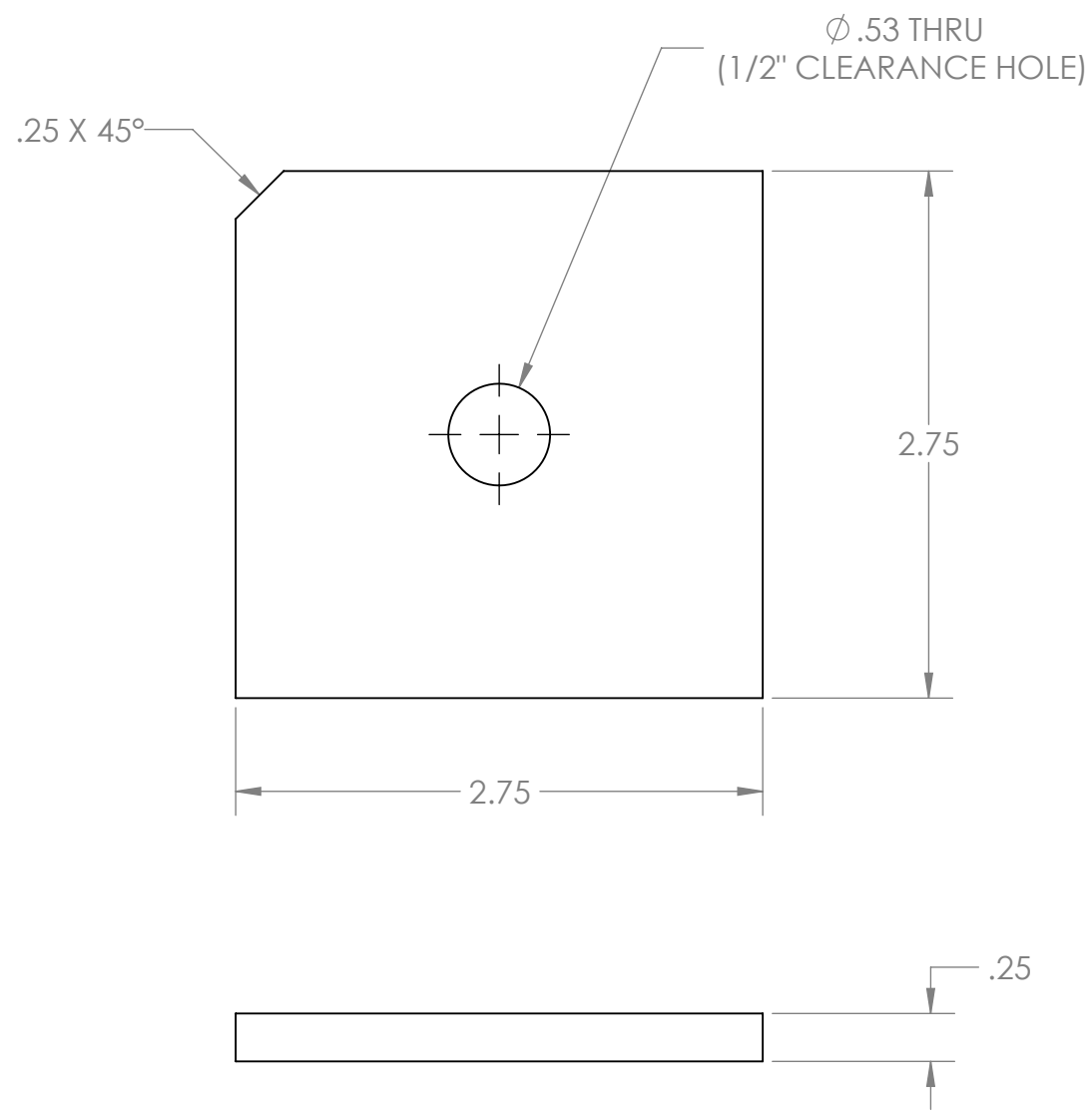


8 7 6 5 4 3 2 1

D
C
B
A



REVISIONS				
ZONE	REV.	DESCRIPTION	DATE	APPROVED
	A	NEW RELEASE	1/15/2024	MJM

DISCLAIMER:
 THE INFORMATION CONTAINED IN THIS DRAWING IS FOR CONCEPTUAL REFERENCE ONLY AND IS NOT INTENDED TO SERVE AS COMPLETE INSTRUCTIONS FOR SAFE CONSTRUCTION AND OPERATION. BY REFERENCING THIS DRAWING, IT IS UNDERSTOOD THAT MCGUIRE MECHANISM LLC IS TO BE HELD HARMLESS AND RELEASED OF ALL LIABILITY FROM ANY INJURIES AND PROPERTY DAMAGES RESULTING FROM ACTIVITIES ASSOCIATED WITH THIS DRAWING'S INFORMATION.

**RWC01-404(SHEET 1 OF 1)
 FRAME FOOT**

PROPRIETARY AND CONFIDENTIAL
 THE INFORMATION CONTAINED IN THIS DRAWING IS THE SOLE PROPERTY OF MCGUIRE MECHANISM LLC. ANY REPRODUCTION IN PART OR AS A WHOLE WITHOUT THE WRITTEN PERMISSION OF MCGUIRE MECHANISM IS PROHIBITED.

UNLESS OTHERWISE SPECIFIED:	DATE	NAME
DIMENSIONS ARE IN INCHES	1/15/2024	MJM
TOLERANCES:		
FRACTIONAL ± 1/8"		
ANGULAR: MACH ± 0.1°		
BEND ± 2°		
TWO PLACE DECIMAL ± .030		
THREE PLACE DECIMAL ± .005		
FOUR PLACE DECIMAL ± .0005		
DRAWN		
CHECKED		
ENG APPR.		
MFG APPR.		
Q.A.		
COMMENTS:		
MATERIAL	LOW-CARBON STEEL	
FINISH		

**McGuire
 Mechanism**

SIZE B	DWG. NO. RWC01-404	REV A
SCALE: 1:1	WEIGHT:	SHEET 1 OF 1

8 7 6 5 4 3 2 1