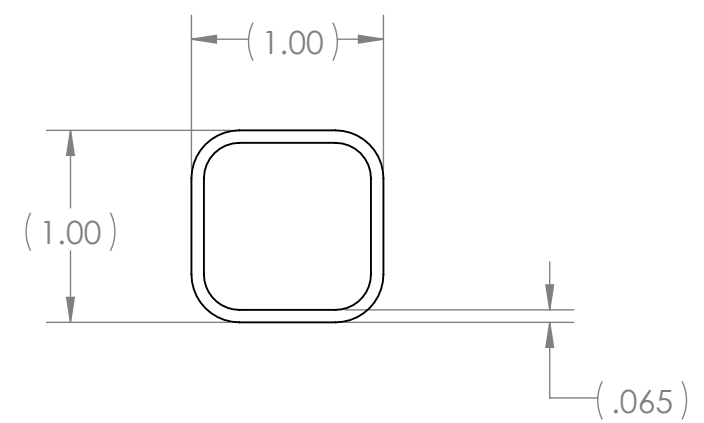
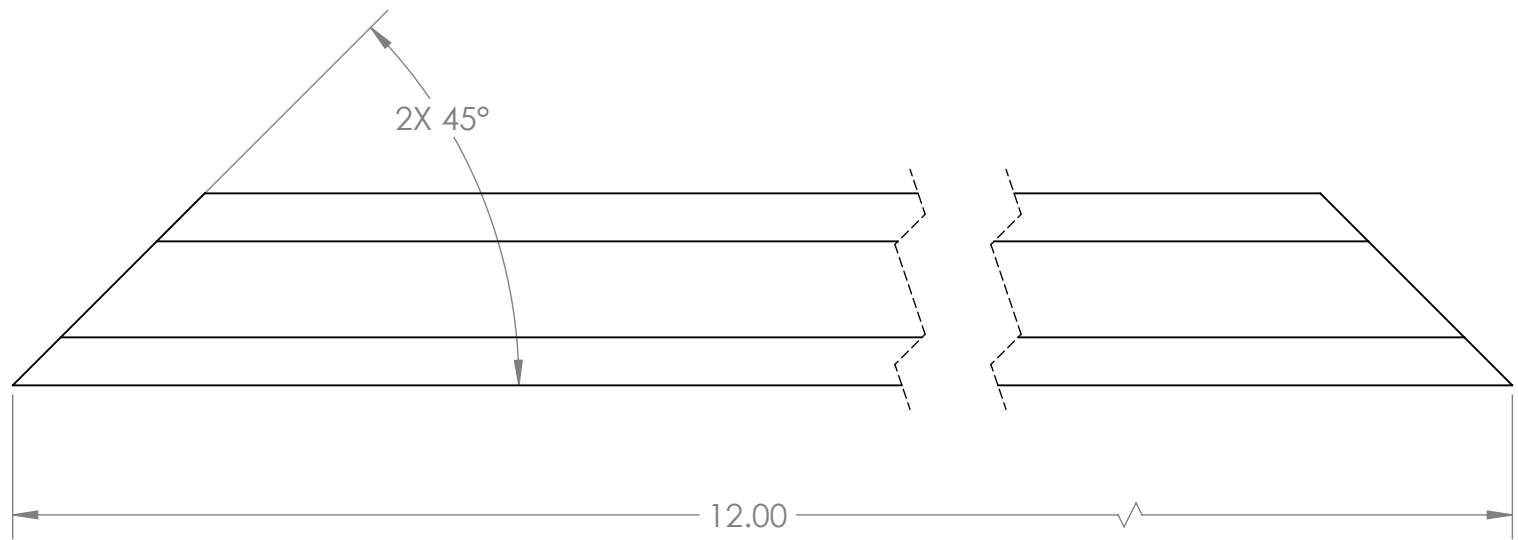


8 7 6 5 4 3 2 1

REVISIONS				
ZONE	REV.	DESCRIPTION	DATE	APPROVED
	A	NEW RELEASE	3/10/2023	BJJ

DISCLAIMER:
 THE INFORMATION CONTAINED IN THIS DRAWING IS FOR CONCEPTUAL REFERENCE ONLY AND IS NOT INTENDED TO SERVE AS COMPLETE INSTRUCTIONS FOR SAFE CONSTRUCTION AND OPERATION. BY REFERENCING THIS DRAWING, IT IS UNDERSTOOD THAT MCGUIRE MECHANISM LLC IS TO BE HELD HARMLESS AND RELEASED OF ALL LIABILITY FROM ANY INJURIES AND PROPERTY DAMAGES RESULTING FROM ACTIVITIES ASSOCIATED WITH THIS DRAWING'S INFORMATION.



**RWC01-403(SHEET 1 OF 1)
 FRAME GUSSET (SMALL)**

PROPRIETARY AND CONFIDENTIAL
 THE INFORMATION CONTAINED IN THIS DRAWING IS THE SOLE PROPERTY OF MCGUIRE MECHANISM. ANY REPRODUCTION IN PART OR AS A WHOLE WITHOUT THE WRITTEN PERMISSION OF MCGUIRE MECHANISM IS PROHIBITED.

UNLESS OTHERWISE SPECIFIED:	DATE	NAME
DIMENSIONS ARE IN INCHES	3/10/2023	BJJ
TOLERANCES:		
FRACTIONAL ± 1/8"		
ANGULAR: MACH ± 0.1°		
BEND ± 2°		
TWO PLACE DECIMAL ± .030		
THREE PLACE DECIMAL ± .005		
FOUR PLACE DECIMAL ± .0005		
MATERIAL	COMMENTS:	
Plain Carbon Steel		
FINISH		

**McGuire
 Mechanism**

SIZE	DWG. NO.	REV
B	RWC01-403	A
SCALE: 1:1	WEIGHT:	SHEET 1 OF 1

8 7 6 5 4 3 2 1